

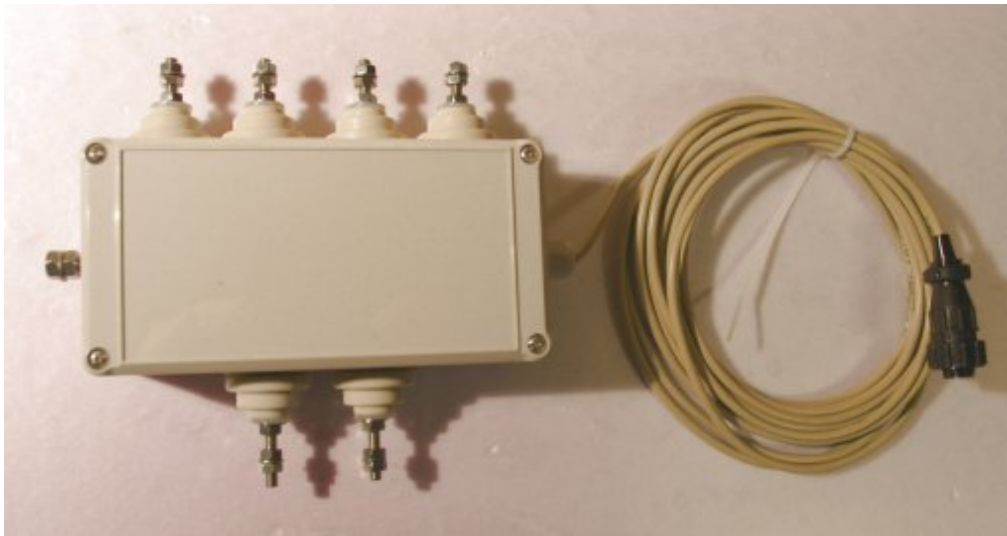
Go back with the „Back Button“ in the Explorer Menu above

DIPL.ING. KLAUS BEMMERER
ING.BÜRO FÜR NACHRICHTENTECHNIK
NIENDORF-MIDDELDORF 11
D-23769 BANNESDORF/FEHMARN

hamware.de

Remote Controlled Antenna Selection Unit for balanced and unbalanced RF Antennas

Mod. ASU-502



The remotely controlled Antenna Selection Unit (ASU-502) is designed for use with the hamware.de AT-502 tuner, but it can also be used as a stand-alone unit. It is designed to provide maximum isolation between the two sets of antenna terminals with minimum impedance variation.

Two different antennas can be attached to the ASU-502. When used with the AT-502 tuner, this unit configures the tuner for balanced or unbalanced operation remotely. Any combination of Balanced or Unbalanced antenna's may be used.

The antenna terminals are made of heavy ceramic and are over voltage protected to help prevent lightning damage.

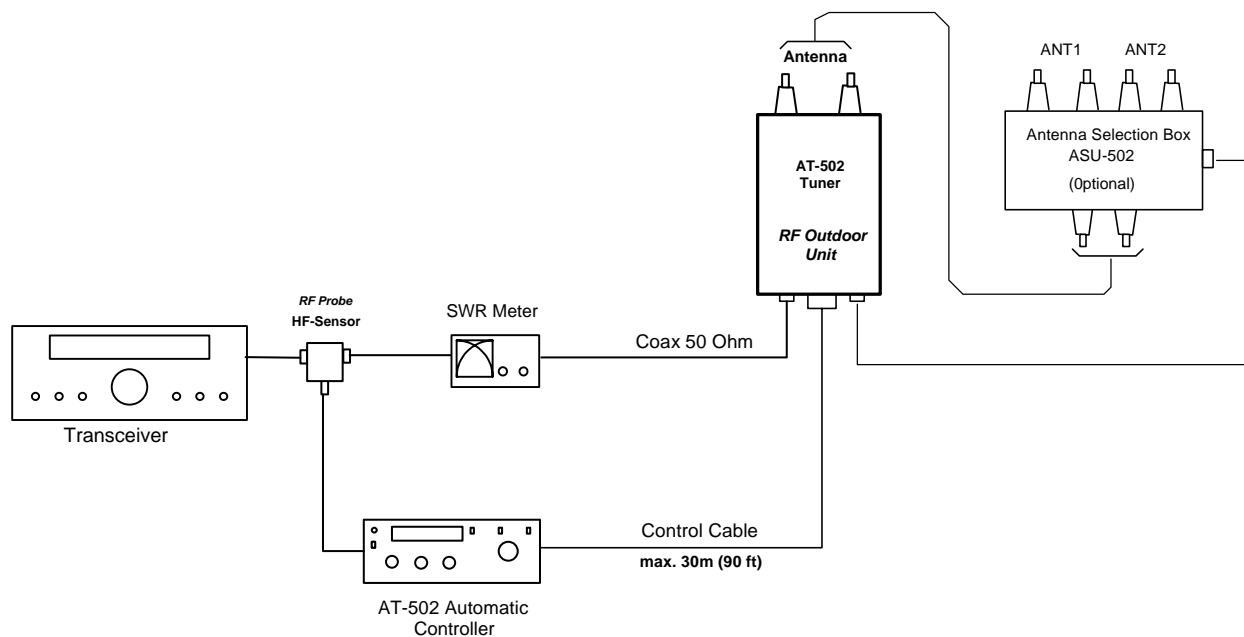
All metal parts are made of stainless steel and heavy plated brass. The plastic cabinet is water and UV resistant class IP65.

Go back with the „Back Button“ in the Explorer Menu above

Specifications:

RF Power Rating	200 Watts SSB or CW
RF Terminals	Ceramic Feed Through Insulators
Frequency Range	1.8 to 60 MHz
Lightning Protection	Over-voltage Protection - 2500 Volts 2500 Amps at each Output Antenna Terminal
Antennas	Balanced or Unbalanced Antennas
Switch-over Voltage	12 Volts (13,8V) .080 Amps
Control Cable	15 ft (5m), 4 wires
Outdoor Cabinet	ABS Plastic LxWxD = 6.3"x 3.15"x 2.25" Protection Class IP65 Weight 1 Pound

System Block Diagram with Tuner AT-502



Go back with the „Back Button“ in the Explorer Menu above

Examples of possible Antenna Configurations

